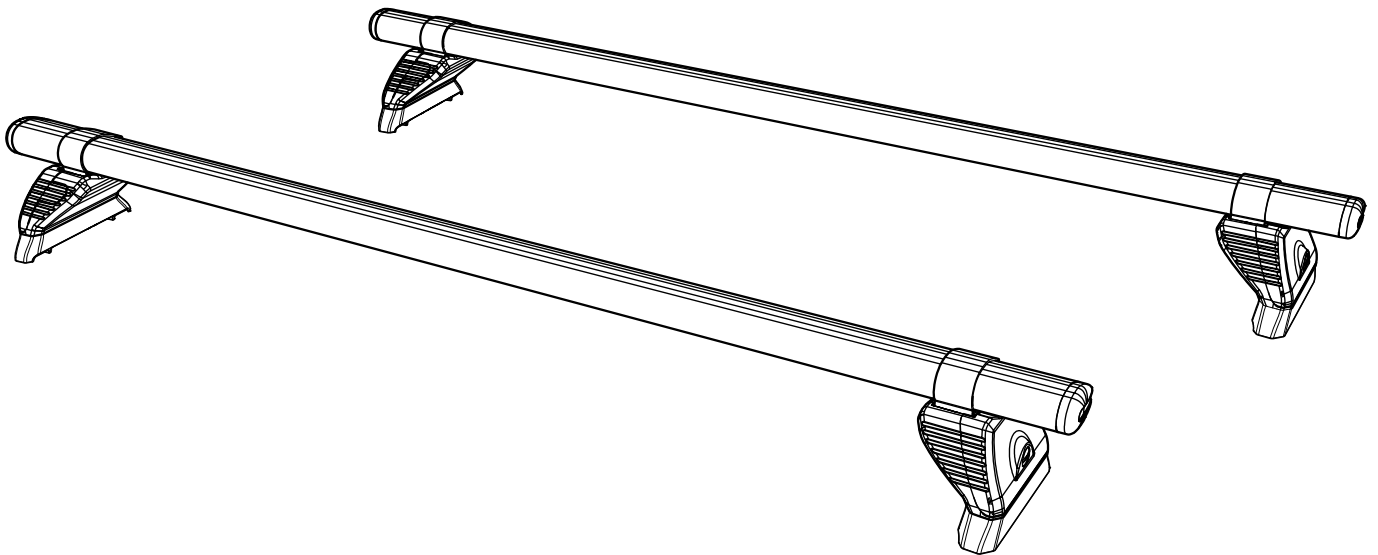


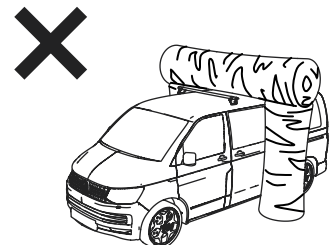
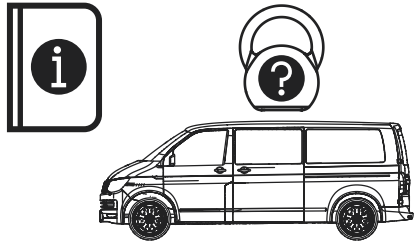
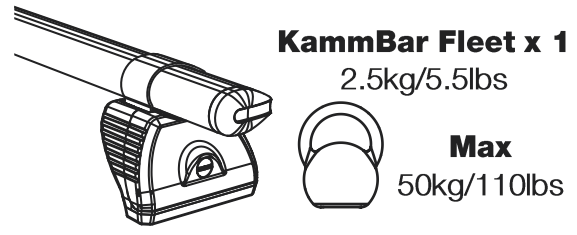
# GC2PR/FL KammBar

## Instructions

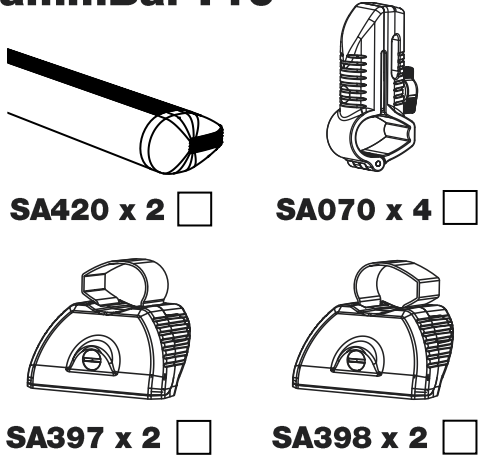


**CITY CRASH** (✓)

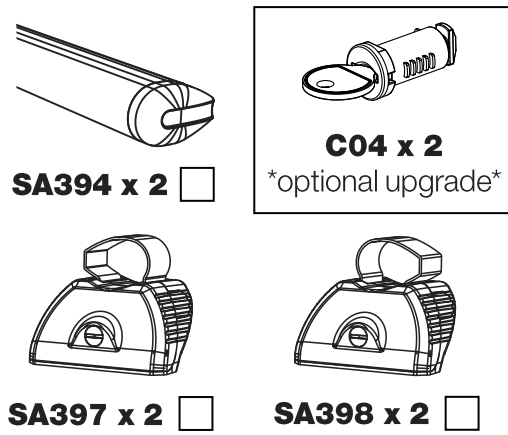
According to ISO/ PAS 11154:2006



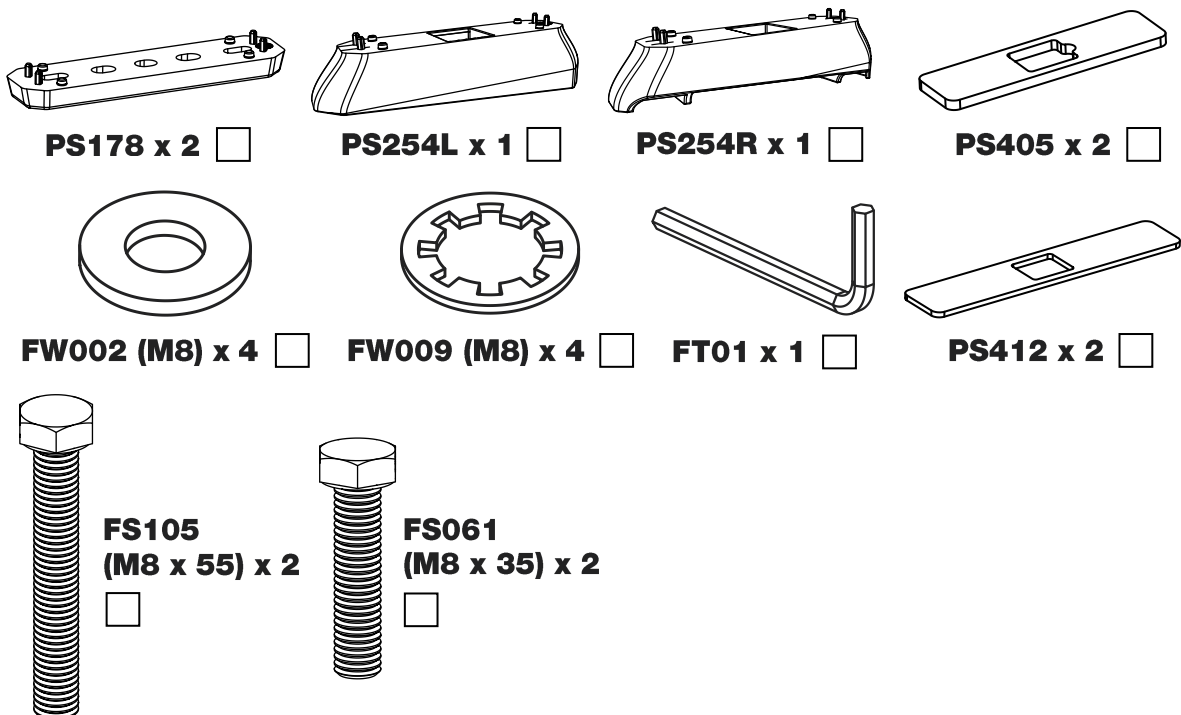
### KammBar Pro



### KammBar Fleet



### Fitting Kit



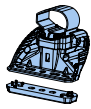
1.



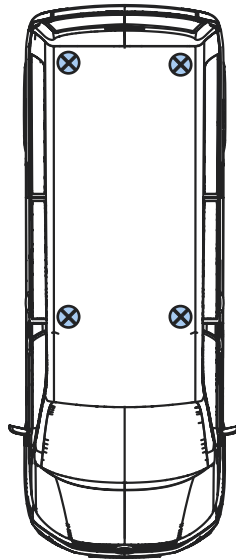
2.



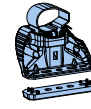
3.



SA397  
PS178



SA398  
PS178

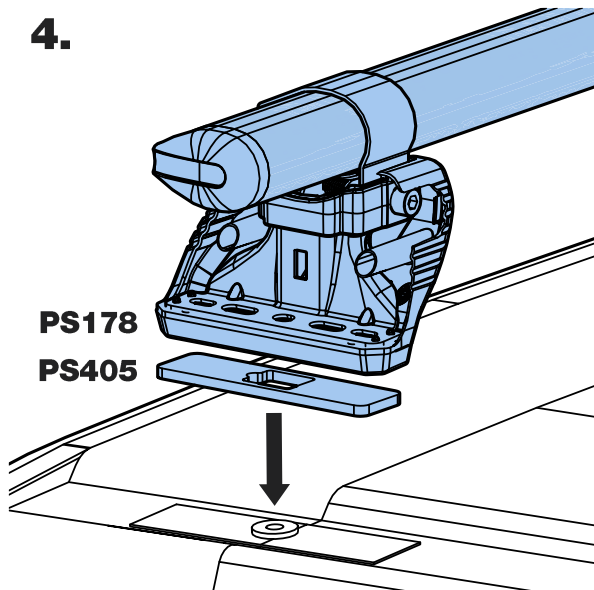


SA397  
PS254L

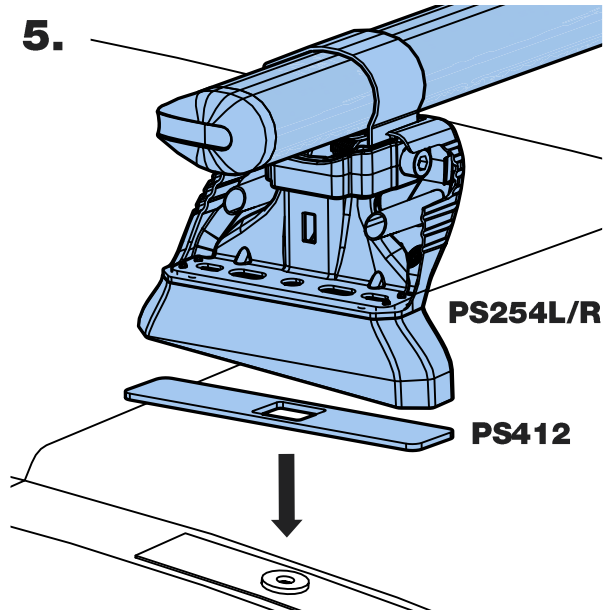
SA398  
PS254R



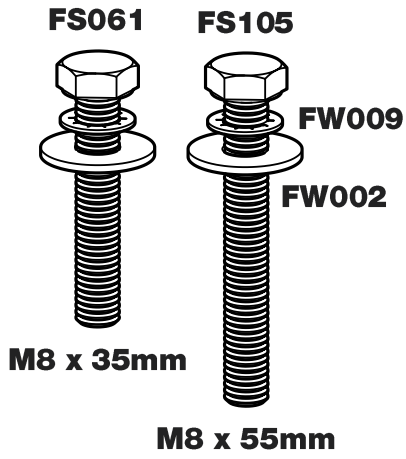
4.



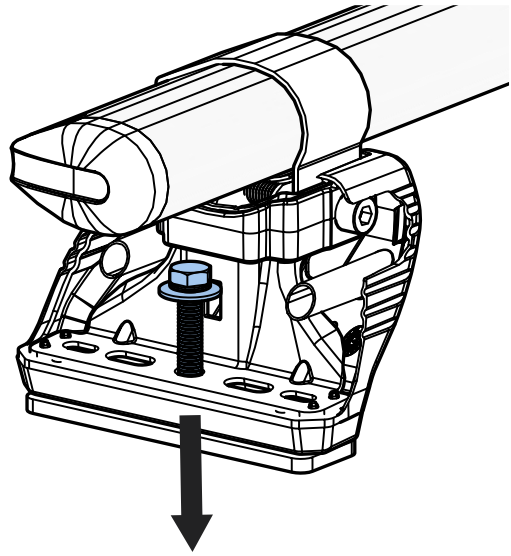
5.



6.

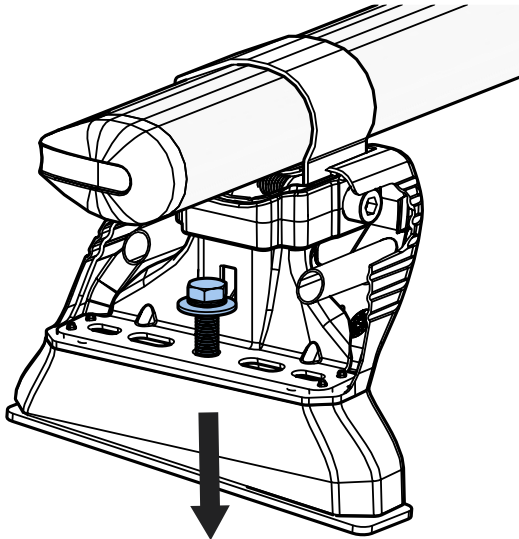


7.



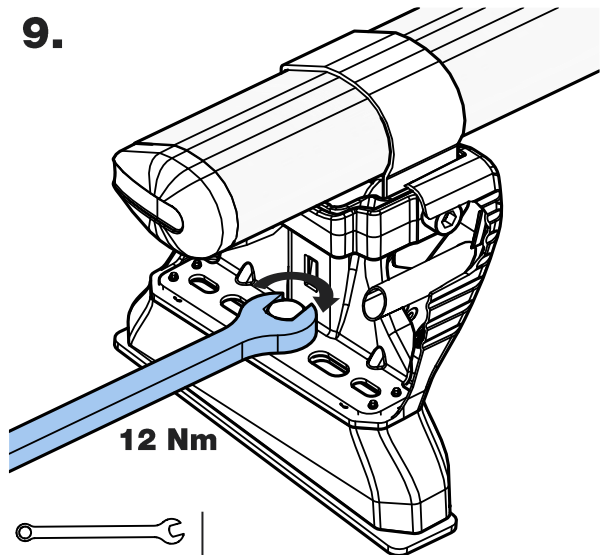
PS178 + M8 x 35mm

8.

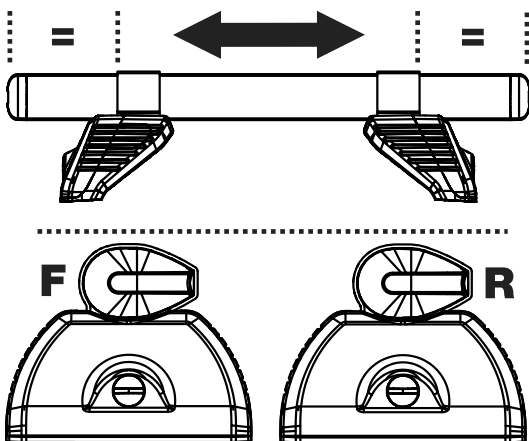


PS254L/R + M8 x 55mm

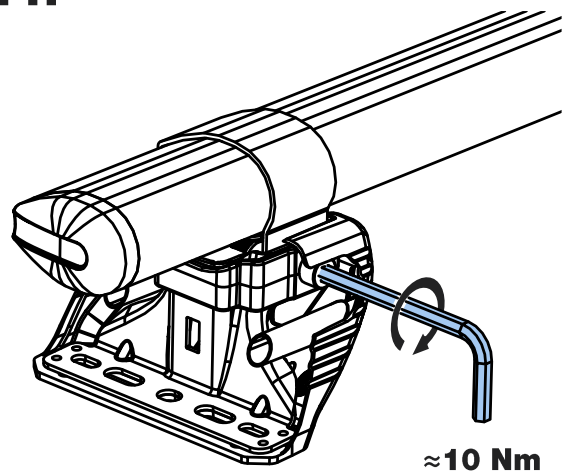
9.



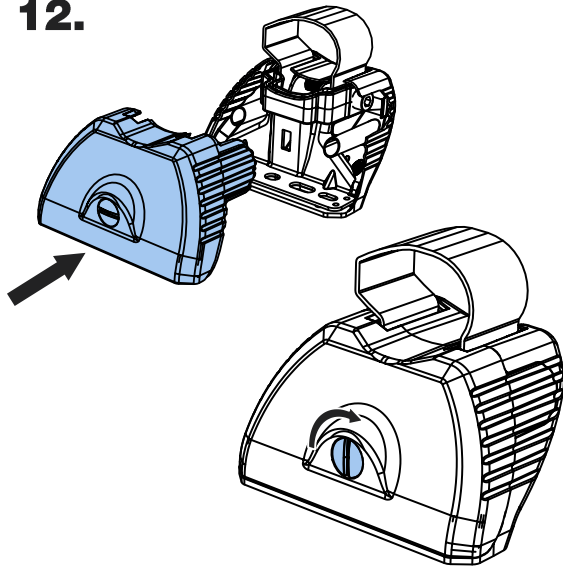
10.



11.



12.



13.

